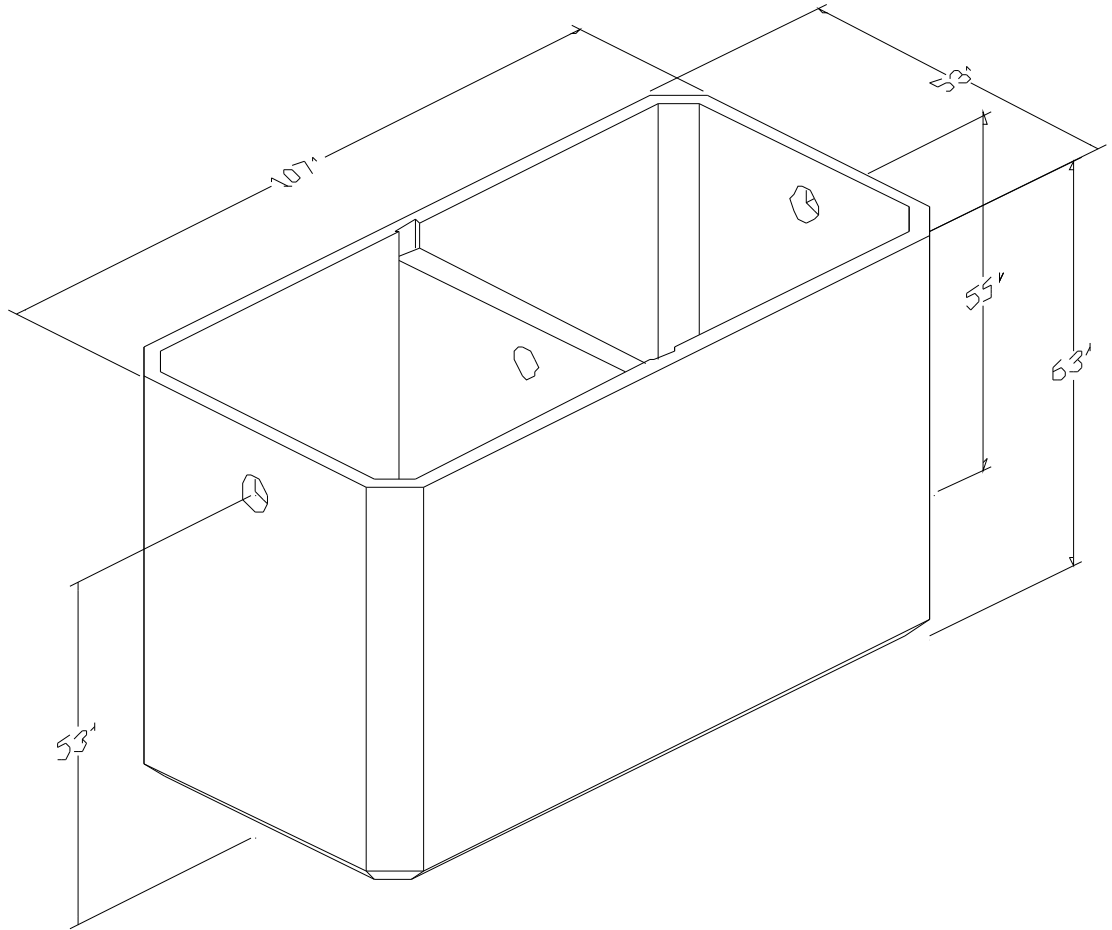


1000 Gallon Grease Trap
100-2210



**Bartow
Precast**

P.O. BOX 200067
CARTERSVILLE GA 30120
TELEPHONE 770/382-4462
FAX 770/382-4480

TANK	
WEIGHT	5,088
WALL THK	2-1/2"

LCD THK.	LCD OPTIONS
	SHOWN SEPERATELY