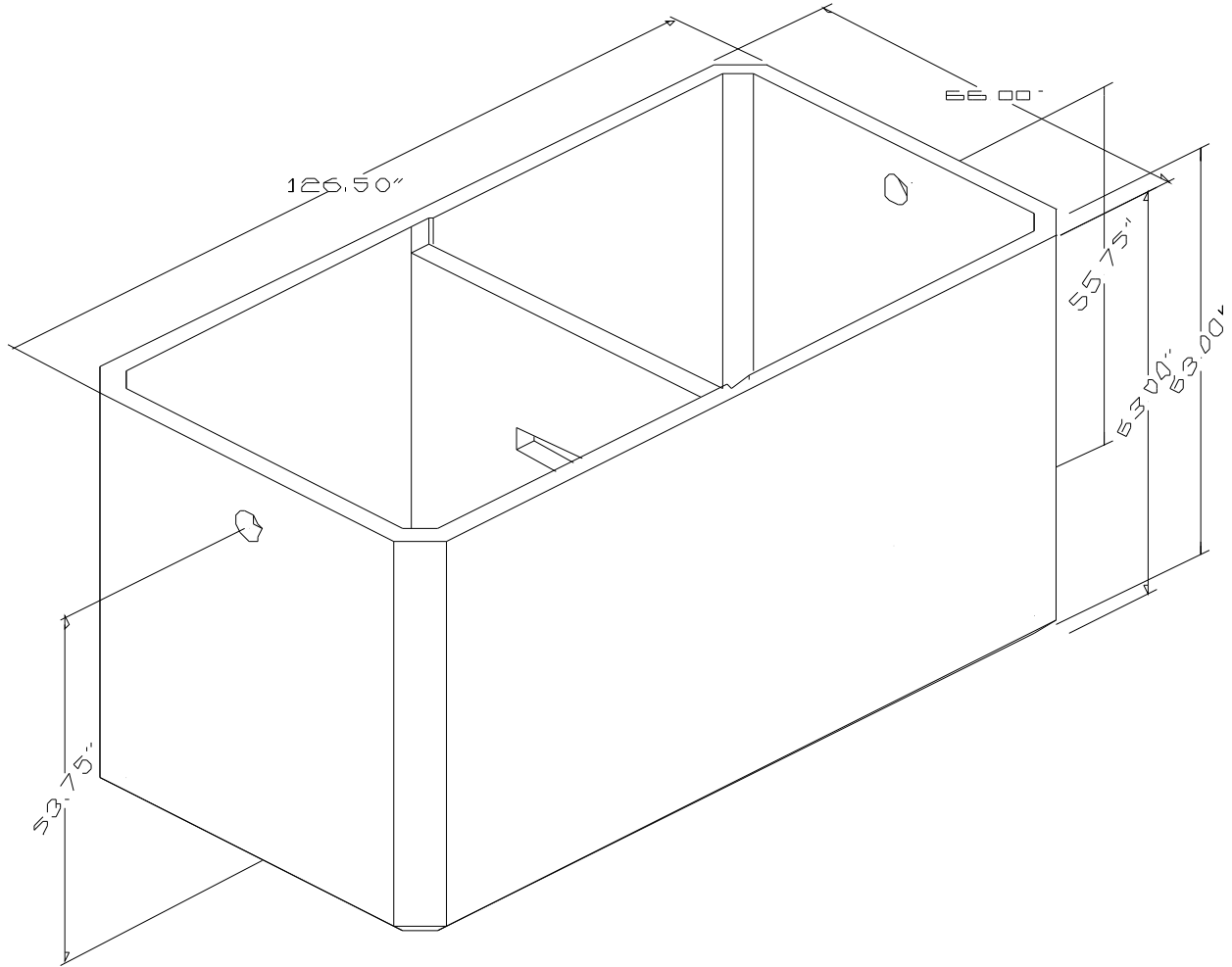


1500 Gallon Grease Trap  
100-2000



**Bartow  
Precast**

PO BOX 80067  
CARTERSVILLE, GA 30200  
TELEPHONE (770) 382-4462  
FAX (770) 382-4480

TANK	
WEIGHT	7.5LB
WALL THK	3"

LID THK.	-
WEIGHT	-
HATCH	-